

INSTALLATION

Wall Mounted

Packaging Includes

- AIR CONDITIONER
- POWER SOCKET (Plastic)
- ASSEMBLY TEMPLATE (Paper)
- USER MANUAL
- MOUNTING SCREWS (6/8 Pieces, Depending on Model)
- NUT (6/8 Pieces, Depending on Model)
- DRAIN NIPPLE

1 Paste the Template

Paste the mounting template that was sent in the package to the surface where the air conditioner will be installed.

2 Cutting the Window

Cut the window that shown in the template with a hand tool like jigsaw. and drill holes that shown on template.

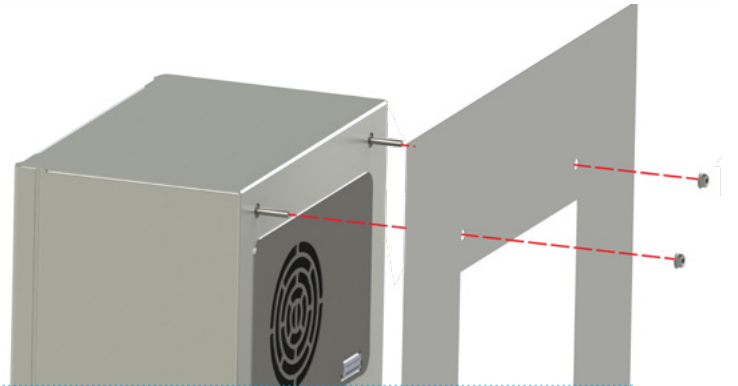


INSTALLATION

Wall Mounted

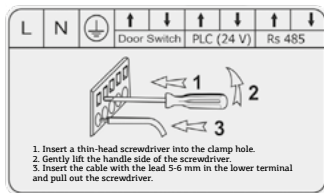
3 Fixing

Place the Air Conditioner on the surface that has holes and Fix the air conditioner to the panel surface from the drilled holes by the M8 screws and tighten the screws.

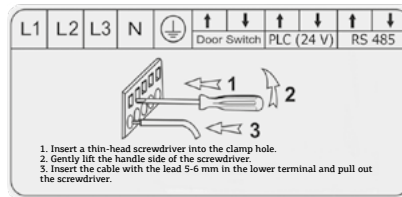


4 Energy Supply

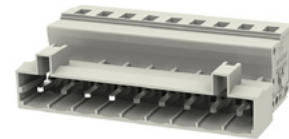
Energize the cable shown in the illustration.



for 220 V. MONOPHASE UNITS



for 380 V. Three-PHASE UNITS



5 DRAINAGE SYSTEM/ WATER DISCHARGE

Tighten the brass outlet nipple which is already provided with the unit, onto the drainage outlet located at the bottom of the air conditioner. (If required, connect a drainage hose to the end of the nipple. Hose diameter should be 3/8" inches)

